

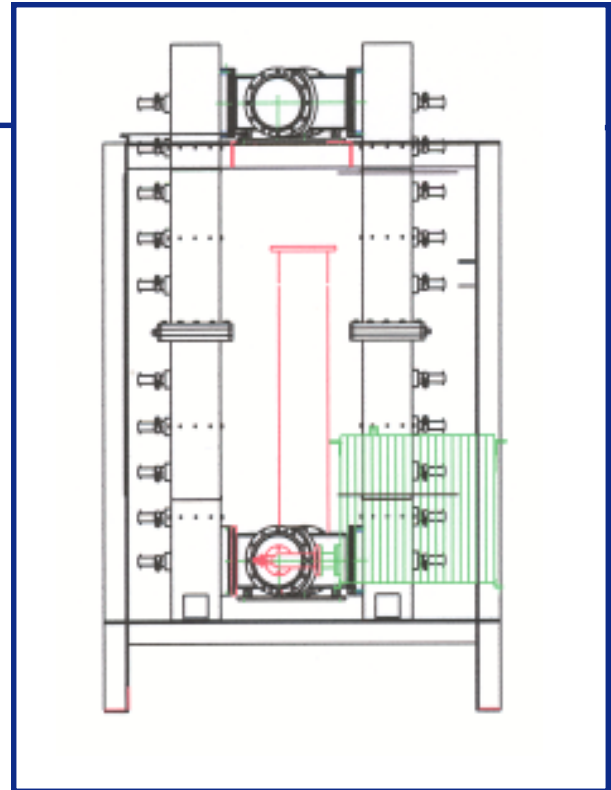


Micro Communications, Inc.

SERIES 41200

CONSTANT IMPEDANCE CHANNEL COMBINER

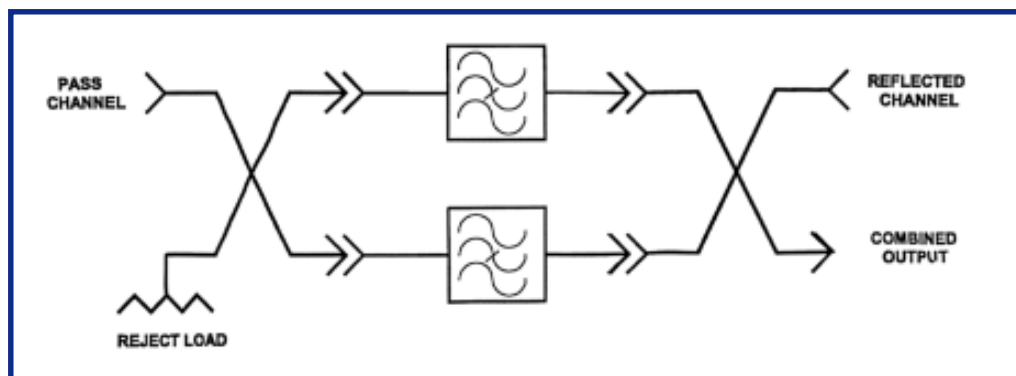
- Constant Impedance Design
- High Isolation
- Low Loss
- Low VSWR
- Compact Size
- High Power Handling



The MCI Channel Combiner is used where it is necessary to combine two or more channels to a common antenna. New channels can be added by connecting another channel combiner in tandem to the previous. The limitations of the number of channels to be combined are the power handling and the bandwidth of the antenna system used.

The combiner is a constant impedance type with bandpass filters acting as a through filter for one channel and a band stop filter for the other channel. The filters provide low loss and high isolation.

MCI also manufactures the broadband antenna systems that compliment these combining networks. Additional filtering for the wideband input available on request.





Micro Communications, Inc.

TYPICAL PERFORMANCE CHARACTERISTICS

	PASS CHANNEL	REFLECTED
VSWR	< 1.08:1	< 1.08:1
INSERTION LOSS	0.20 to 0.50 dB	0.10 to 0.20 dB
ISOLATION	> 30 dB (to Reflected)	> 50 dB (to Pass)
GROUP DELAY	+/- 50 ns	+/- 10 ns

Results will vary depending on operating band and channel spacing.

	VHF		UHF
FREQUENCY (MHz)	54-88	174-216	470-860
CHANNEL RANGE	2-6	7-13	14-69
MODEL	41246	41266	41276
COMBINED POWER	100kW	80kW	80kW
SIZE	70x60x30	40x24x24	80x48x36
WEIGHT	400	350	240
CONNECTORS	6 1/8	6 1/8	6 1/8
MODEL	41245	41265	41275
COMBINED POWER	80kW	60kW	40kW
SIZE	70x60x30	40x24x24	80x48x36
WEIGHT	350	300	240
CONNECTORS	4 1/16	4 1/16	4 1/16
MODEL	41244	41264	41274
COMBINED POWER	50kW	40kW	20kW
SIZE	70x54x20	40x17x15	40x24x30
WEIGHT	300	220	120
CONNECTORS	3 1/8	3 1/8	3 1/8
MODEL	41243	41263	41273
COMBINED POWER	15kW	10kW	6kW
SIZE	70x54x20	40x17x15	40x24x30
WEIGHT	170	130	110
CONNECTORS	1 5/8	1 5/8	1 5/8
MODEL	41242	41262	41272
COMBINED POWER	10kW	5kW	2kW
SIZE	70x54x10	40x17x10	40x24x30
WEIGHT	140	100	100
CONNECTORS	7/8	7/8	7/8

All specifications are subject to change without notice.

NOTES:

- 1) Above models show two channel configurations.
- 2) Powers shown are combined power output.
- 3) Higher power levels available: Contact factory.



Micro Communications, Inc.