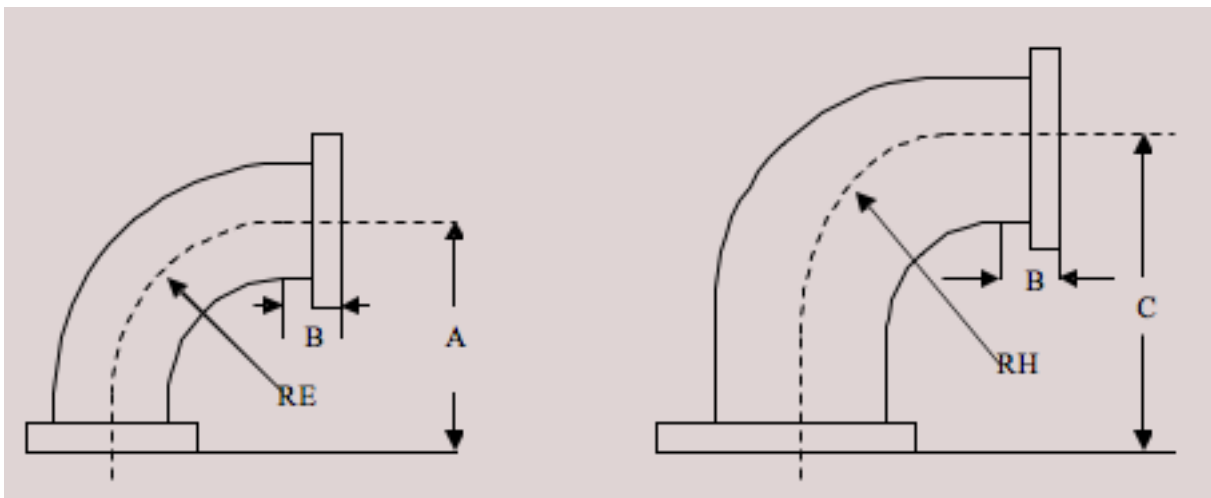


Mega Industries utilizes the most advanced fabricating methods for the forming of precision sweep bends. Strict adherence to EIA dimensional tolerances insures a minimum reflection coefficient over the waveguide band. Typical VSWR is 1.05:1

Standard material used is 6061-T6 Aluminum; however these can also be supplied in Copper, Brass, Stainless Steel, and Invar.

The radii listed below are the recommended dimensions for 90° bends, however, other radii and angles can be readily supplied to minimize system design costs. Units are available for both high pressure and high vacuum applications.

Pieces are available in full height (2:1 ratio) as well as reduced height configurations.



Waveguide Size	E-plane Cat. No.	A (inches)	B (inches)	RE (inches)	H-Plane Cat. No.	C (inches)	B (inches)	RH (inches)
2300	3004001	27	3	24	3005001	51	3	48
2100	3104001	27	3	24	3105001	45	3	42
1800	3204001	21	3	18	3205001	39	3	36
1500	3304001	15	3	12	3305001	33	3	30
1150	3404001	15	3	12	3405001	27	3	24
975	3504001	12	3	9	3505001	21	3	18
770	3604001	8	2	6	3605001	14	2	12
650	3704001	8	2	6	3705001	14	2	12
430	4004001	8	2	6	4004001	10	2	8
340	4104001	5	1	4	4104001	7	1	6
284	4204001	4.75	2	2.75	4204001	5.5	1.5	4
229	4704001	4	1	3	4704001	4.5	1	3.5
187	4804001				4804001			
159	4904001				4904001			
137	5004001				5004001			
112	5104001				5104001			
102	5204001				5204001			
90	5304001				5304001			