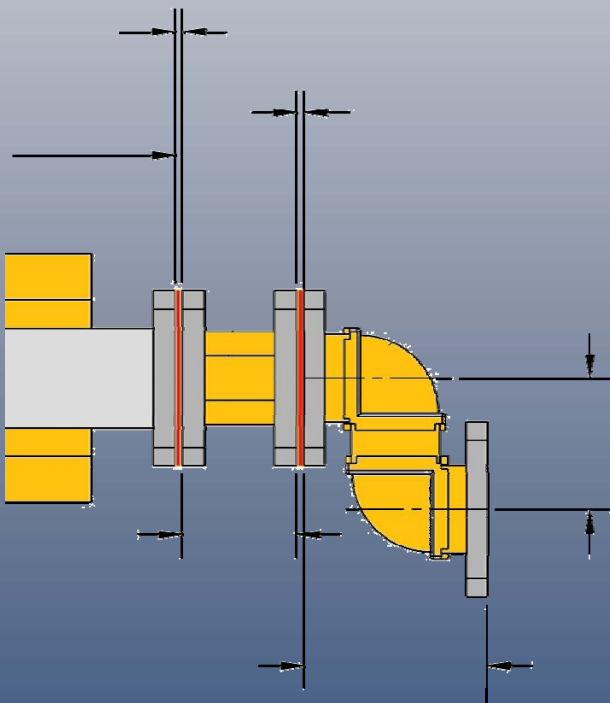


MEGASEAL Waveguide Seals



MEGASEAL

Simplify Layout

Pressure Tight

Eliminate Flange Orientation

Make Waveguide More Reusable

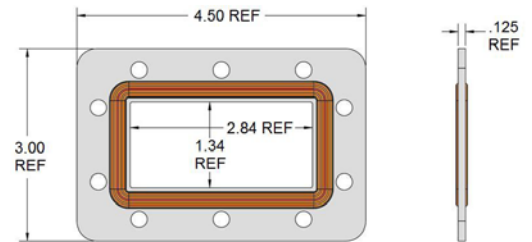
Improved Sealing Reliability

WR284 *MEGASEAL*



Aluminum Seal Carrier
 WR284 CPR Flange Hole Locations
 Silicone Compound Seal Material
 Double-Ridge Gasket Design
 Allows for Gas-Tight Flat/Flat Waveguide Runs
 Simplify Layout and Component Re-Use

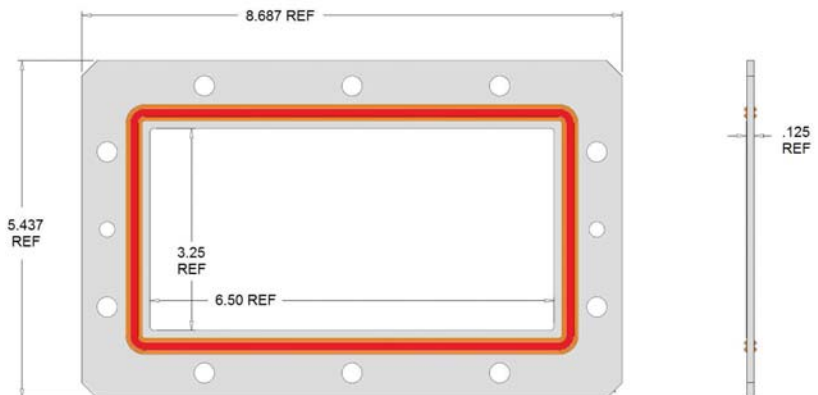
Improved Reliability
 RoHS Compliant
 Iridite Conversion Coating
 Individually Packaged



WR650 *MEGASEAL*



Aluminum Seal Carrier
 WR650 CPR Flange Hole Locations
 Silicone Compound Seal Material
 Double-Ridge Gasket Design
 Allows for Gas-Tight Flat/Flat Waveguide Runs
 Simplify Layout and Component Re-Use
 Improved Reliability
 RoHS Compliant
 Iridite Conversion Coating
 Individually Packaged



Mega Industries, LLC

28 Sanford Drive, Gorham, Me. 04038 USA

Phone: 207-854-1700 Fax: 207-854-2287 E-Mail: sales@megaind.com www.megaind.com