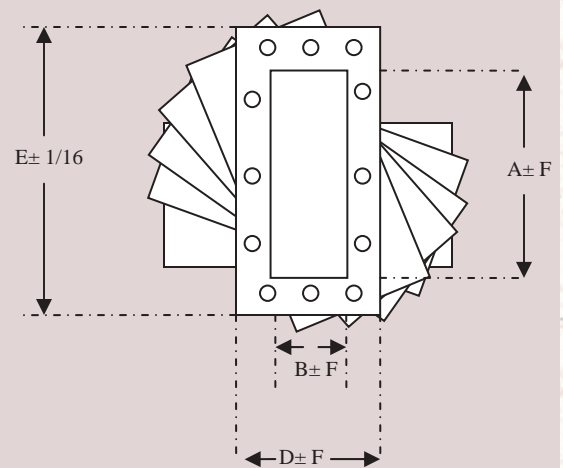
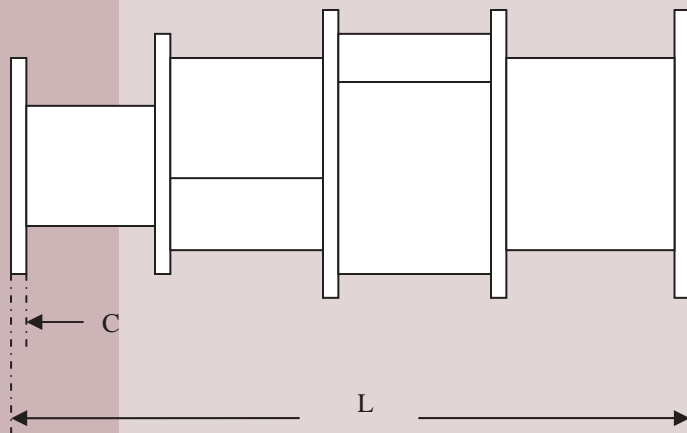




When mechanical system packaging necessitates a change in the plane of polarization, Mega Industries step twists provide an accurate electrical and mechanical interface. Our compact three-step twist exhibits a VSWR less than 1.05:1 over a 10% bandwidth. Lower VSWR's or increased bandwidth can be realized by utilizing a five-step twist.

Step twists are also available in 30°, 45°, 60° and other desired angles.

For your special requirements, Mega can supply 4:1 or other aspect ratios.



Dimensions

Waveguide Size	Cat. Number		Freq. Range GHz	A*	B*	C*	D*	E*	F*	"L" Length		Wall thickness*	Max Pressure
	3 Step	5 Step								3 Step	5 Step		
WR2300	3009001	3009085	0.32-0.49	23.00 (584.2)	11.50 (292.1)	0.63 (15.9)	15.13 (384.2)	26.63 (676.3)	0.02 (0.51)	42.00 (1066.8)	72.00 (1828.8)	0.19 (4.82)	0.25
WR2100	3109001	3109085	0.35-0.53	21.00 (533.4)	10.50 (266.7)	0.63 (15.9)	14.13 (358.8)	24.63 (625.5)	0.02 (0.51)	36.00 (914.4)	60.00 (1524.0)	0.19 (4.82)	0.25
WR1800	3209001	3209085	0.41-0.62	18.00 (457.2)	9.00 (228.7)	0.63 (15.9)	12.50 (317.5)	21.50 (546.1)	0.02 (0.51)	36.00 (914.4)	60.00 (1524.0)	0.19 (4.82)	0.25
WR1500	3309001	3309085	0.49-0.75	15.00 (381.0)	7.50 (190.5)	0.44 (11.1)	11.00 (279.4)	18.5 (469.9)	0.02 (0.51)	24.00 (609.6)	48.00 (1219.2)	0.125 (3.25)	0.25
WR1150	3409001	3409085	0.64-0.96	11.50 (292.1)	5.75 (146.1)	0.44 (11.1)	9.25 (235.0)	15.00 (381.0)	0.02 (0.51)	24.00 (609.6)	48.00 (1219.2)	0.125 (3.25)	0.25
WR975	3509001	3509085	0.75-1.12	9.75 (247.7)	4.87 (123.17)	0.44 (11.1)	8.38 (212.9)	13.25 (336.6)	0.01 (0.03)	21.00 (533.4)	30.00 (762.0)	0.125 (3.25)	0.25
WR770	3609001	3609085	0.96-1.45	7.70 (195.6)	3.85 (97.8)	0.44 (11.1)	7.38 (187.5)	11.22 (285.0)	0.02 (0.51)	15.00 (381.0)	24.00 (609.6)	0.125 (3.25)	0.5
WR650	3709001	3709085	1.12-1.70	6.50 (165.1)	3.25 (82.6)	0.44 (11.1)	5.44 (138.1)	8.69 (220.7)	0.02 (0.51)	12.00 (304.8)	24.00 (609.6)	0.125 (3.25)	0.5
WR430	4009001	4009085	1.70-2.60	4.30 (109.2)	2.15 (54.6)	0.44 (11.1)	4.19 (124.7)	6.43 (163.3)	0.02 (0.51)	9.00 (228.6)	18.00 (457.20)	0.125 (3.25)	0.5
WR284	4209001	4209085	2.60-3.95	2.84 (72.10)	1.42 (36.1)	0.44 (11.1)	3.00 (76.2)	4.50 (114.3)	0.02 (0.51)	6.00 (152.4)	12.00 (304.8)	0.08 (2.03)	0.5

* Inches (mm)