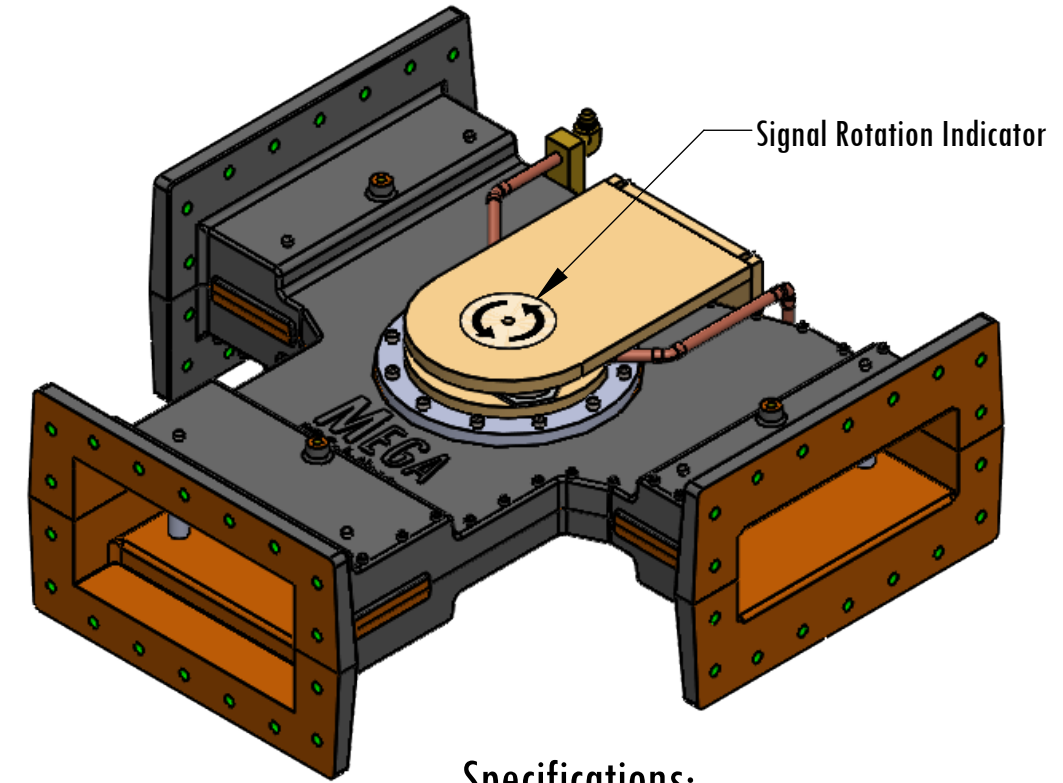
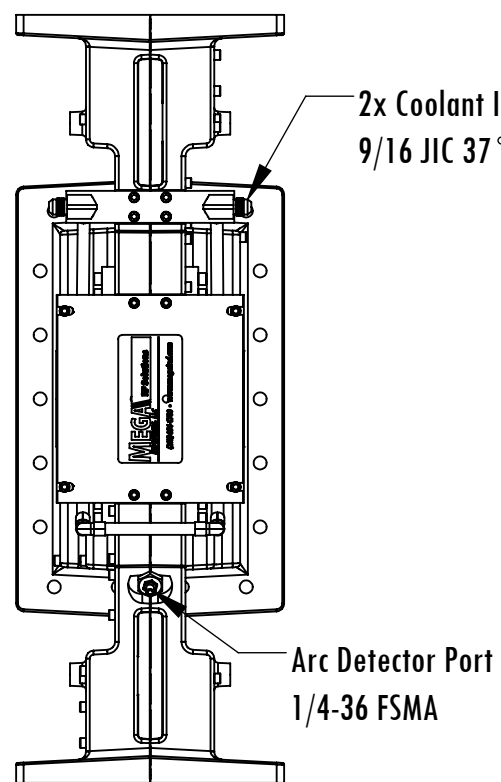
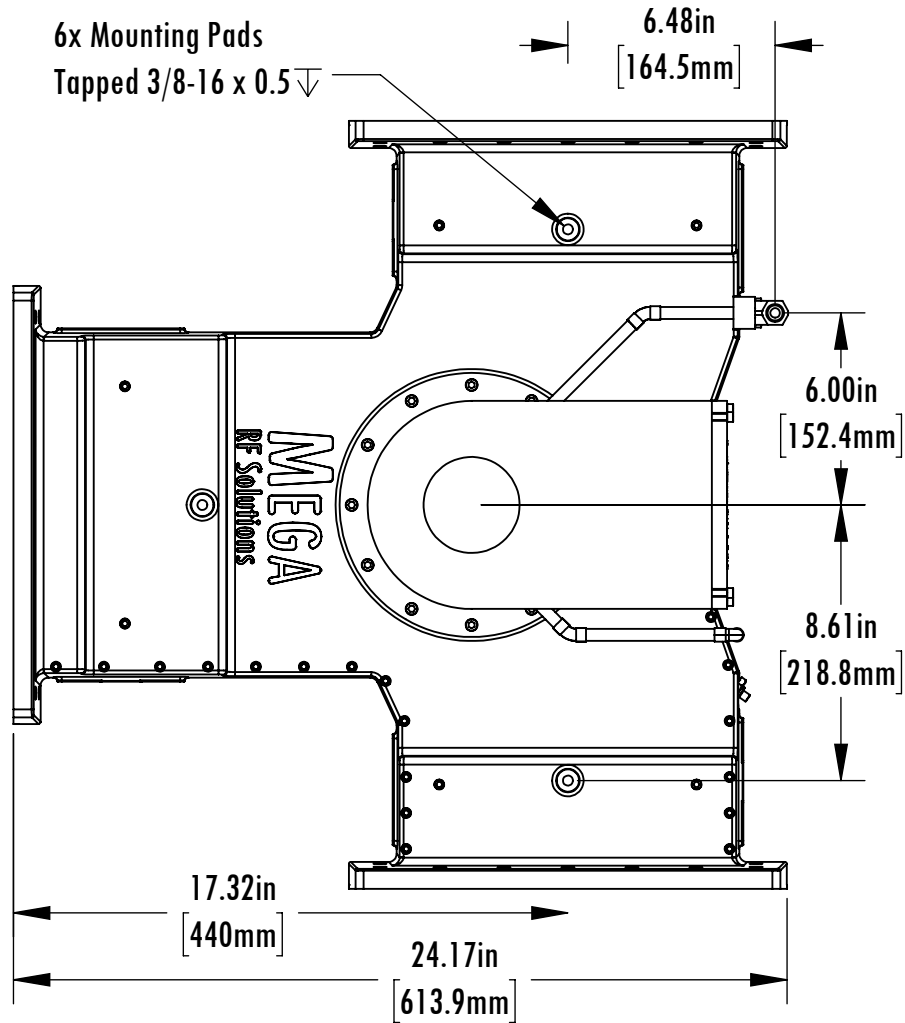


REV	ECN	DESCRIPTION	DATE	APPROVED
A	-	INITIAL RELEASE	2/1/2019	



**Specifications:**

**Electrical:**

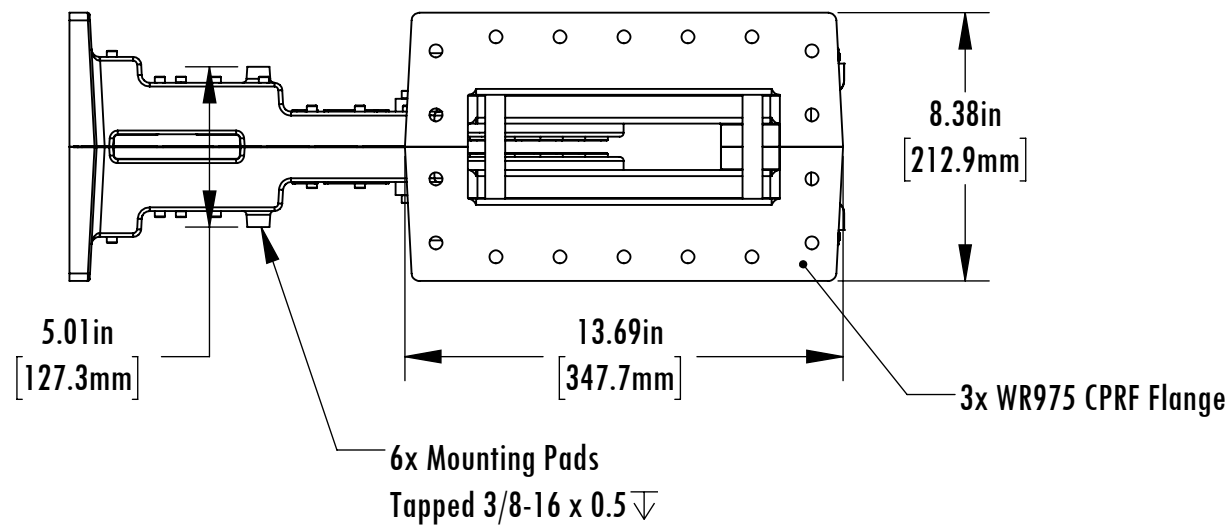
Frequency: 915 +/- 10 MHz  
 Return Loss: >25dB @ 915, >20 dB in band  
 Insertion Loss: <0.1 dB @ 915, <0.15 in band  
 Isolation: >25dB @ 915, >20 dB in band  
 Power: 75kW CW forward, 75kW CW reflected

**Mechanical:**

Material: Alum. Housing (A356 T51, RoHS passivated), Steel (Zinc passivated), Copper cooling channels  
 Interface: WR975 CPRF  
 Cooling: 2 gpm/min flow at 25-30 °C, < 100 psig  
 Weight: 40.267lb [18kg]

**Notes:**

1. Monitor couplers provided upon request: -60 +/- 2 dB, Type N connector.
2. Circulators nominally optimized for RF performance at 75kW forward power. Customer modifications for operation at lower RF power levels possible upon request.



Contact sales@megaind.com for more information.

 INDUSTRIES, LLC 28 Sanford Drive : Gorham, ME 04038 : (207) 854-1700	DRAFTED BY: P. Matthews	DATE: 2/1/2019	DESCRIPTION: <b>Circulator, 915MHz, WR975, 75kW</b>	
	CHECKED BY: J. Theriault	DATE: 2/8/2019	REV: <b>A</b>	CATALOG #: <b>77682-704</b>
<b>PROPRIETARY AND CONFIDENTIAL</b> THIS DOCUMENT SHALL NOT BE PUBLISHED, COPIED, OR DISTRIBUTED FOR ANY REASON UNLESS GIVEN EXPLICIT WRITTEN CONSENT BY MEGA INDUSTRIES, LLC	UNLESS SPECIFIED: UNITS: INCHES X.XXX ± .005 X.XX ± .02 X.X ± .05 ∠ ± 30'		INTERPERET PER ASME Y14.5M 1994	MEGA MAT. CODE:
			PARENT ASSEMBLY:	
			MATERIAL:	
		CAGE CODE: OG9Y7	SCALE: NA	SHEET: 1 OF 1