

Mega Industries Variable Attenuators are constructed to handle the toughest high power applications. The design makes these variable attenuators capable of providing precise control at extremely high power levels. Precision seals and designs utilizing vacuum bellows allow for reliable pressurization with dry air, nitrogen or SF6 or even achieving Ultra High Vacuum levels in some sizes to increase the power carrying capacity. They are available in manual and stepper motor controlled versions and may include Loads or customer requested interfaces.

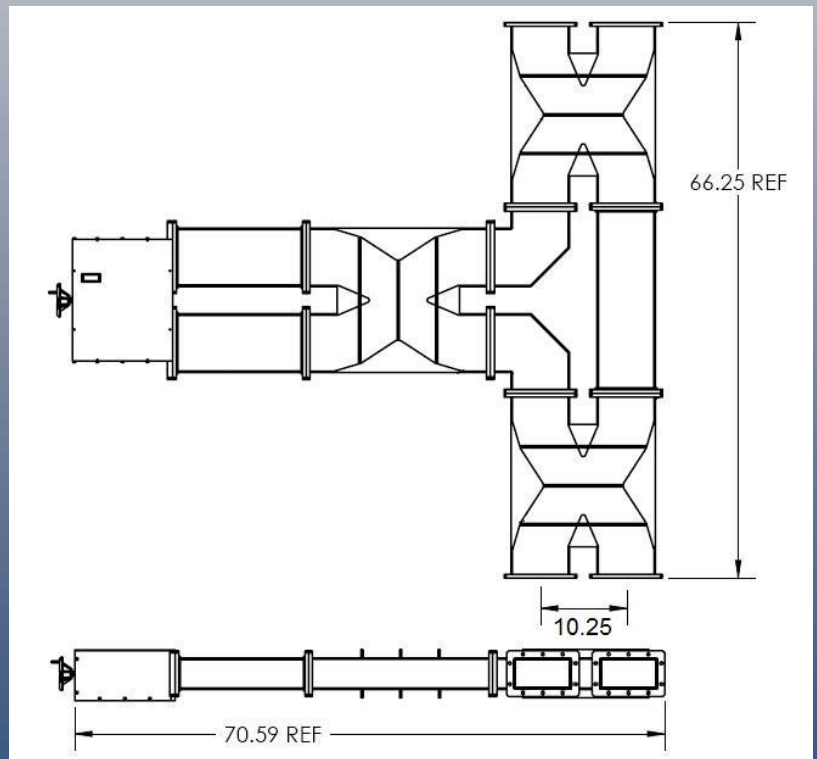
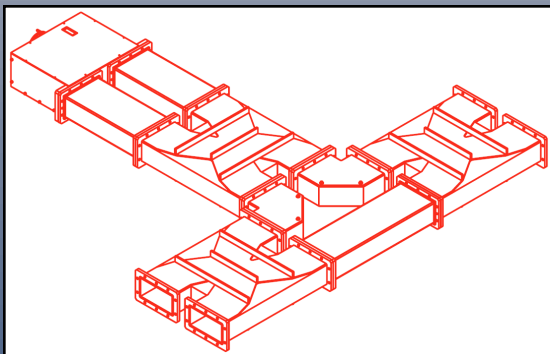
General Specifications

Waveguide	WR90 to WR2300
Construction	Aluminum or OFHC Copper (other by request)
Attenuation	> 35dB
Frequency	
Operating Band	+/-1% @ <1.15:1 VSWR +/-5% @ <1.50:1 VSWR
Pressurized	up to 45psig (3 ATM gauge)
Vacuum	up to 10 ⁹ mbar
Insertion Loss	<0.1dB

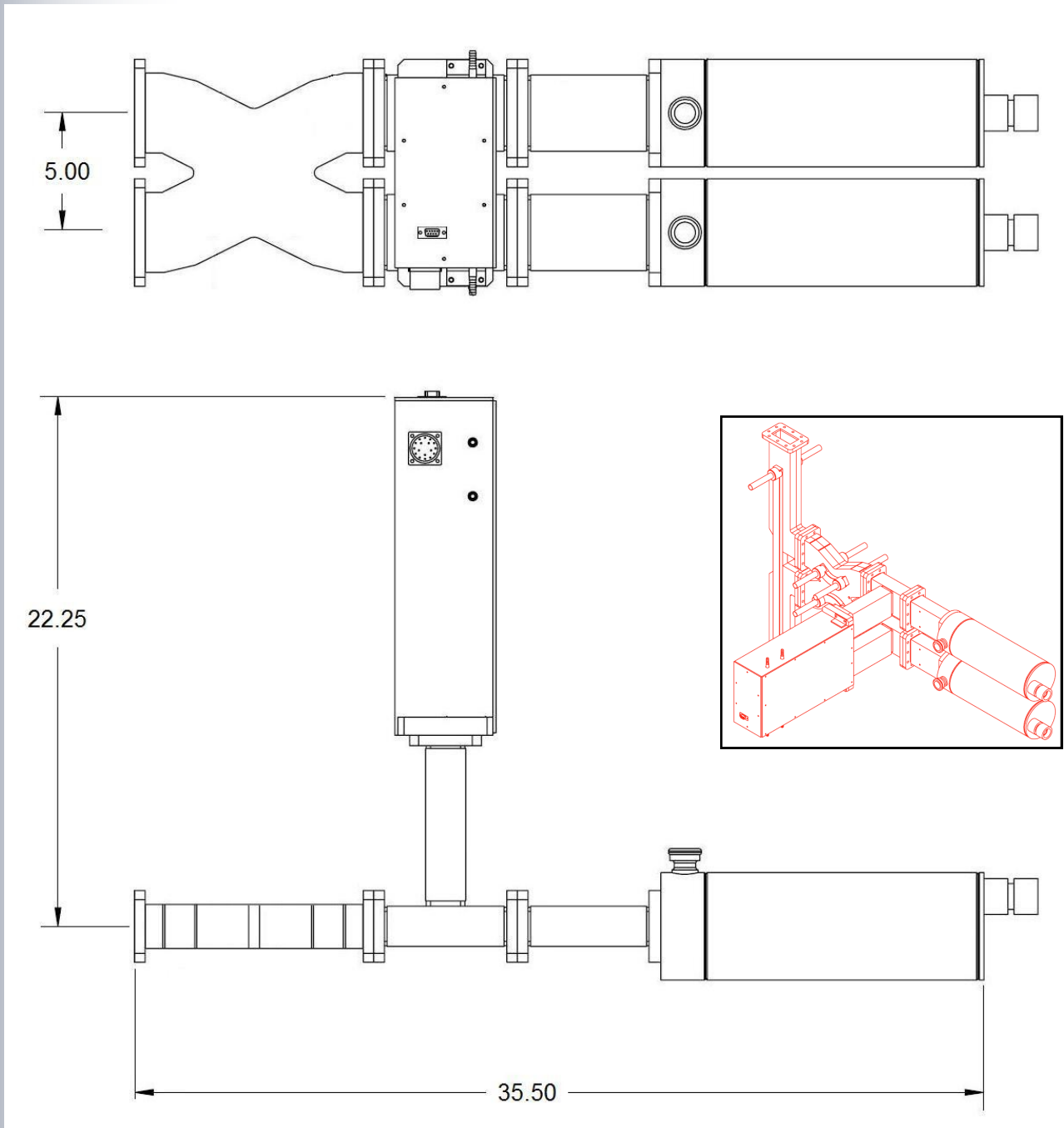
Specifications dependant on waveguide size and subject to change

WR650 Variable Attenuator

The configuration pictured is a Manually operated WR650 Variable Attenuator with Hybrid input utilizing a separate Load (not pictured).



WR284 Variable Attenuator



The configuration pictured is a Motorized Variable Attenuator with Hybrid input utilizing a Shunt Tee design and includes integrated Water Loads and Water Cooled Buckets for high power operation. (Inset unit water cooled with integrated output elbows)

Mega Industries, LLC

28 Sanford Drive, Gorham, Maine 04038 USA

Phone: 207-854-1700 Fax: 207-854-2287 E-Mail: sales@megaind.com www.megaind.com