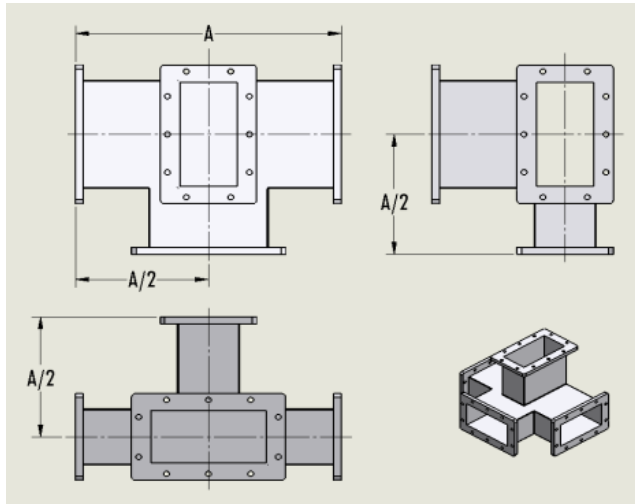


Series Tee

Mega Industries WR159 waveguide tees are manufactured to exacting electrical and mechanical specifications. We offer a range of styles and configurations, which includes E-Plane and H-Plane folded magic tees, shunt tees, series tees and magic tees. Our manufacturing process provides maximum symmetry in fabrication.



Magic Tee

| | |
|------------------|------------------|
| Colinear Balance | +/- 0.1 dB |
| Insertion Loss | Less than 0.1 dB |
| E-H Isolation | 30 dB minimum |
| VSWR | 1.10:1 |
| Length of A | 3.50 inches |



Folded Magic Tee



Shunt Tee

Mega Industries, LLC • 28 Sanford Drive, Gorham, ME 04038 USA

Phone: 207-854-1700 • Email: sales@megaind.com

Website: www.megaind.com • ISO 9001:2015 & AS9100D