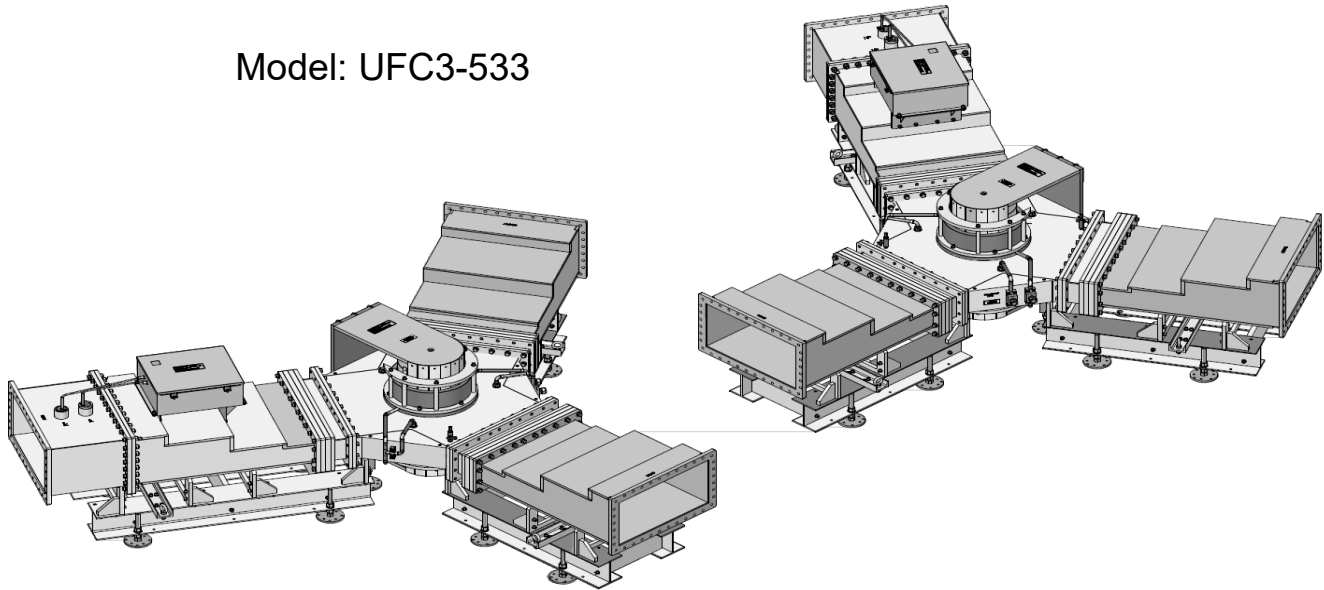


# High Power WR2300, UHF Circulator



Model: UFC3-533



Microwave Techniques High Power WR2300 UHF circulator places emphasis on the selection and bias point of ferrite material to minimize insertion loss and maximize isolation at the frequency, bandwidth and power level of interest. The design and power handling capability of a circulator is determined by the sum of the forward and reflected power, the latter being a result of any mismatch present at the output of the device. The following specifications apply to a WR2300 UHF circulator:

Operating Frequency	352,209 MHz
Max Peak Power Sent	2.8 MW
Max Average Power Sent	150 kW
Insertion Loss	< 0.01 dB
Magnetic Stray Field	10 GAUSS at 1 meter max
Isolation (Port 2 to Port 1)	> 26 dB
VAT-10	Ethernet Power (CAT5)
Coolant Flow	8 Gallons (30.28 L) per min.
Pressure Drop	60 PSI max
Test Pressure	150 PSI max

**Flanges** CPR-2300 Flat

**Material:** Waveguide System: Aluminum 6061-T6

**Cooling System:** Copper and Stainless Steel

For more information, contact [sales@microwavetechniques.com](mailto:sales@microwavetechniques.com)