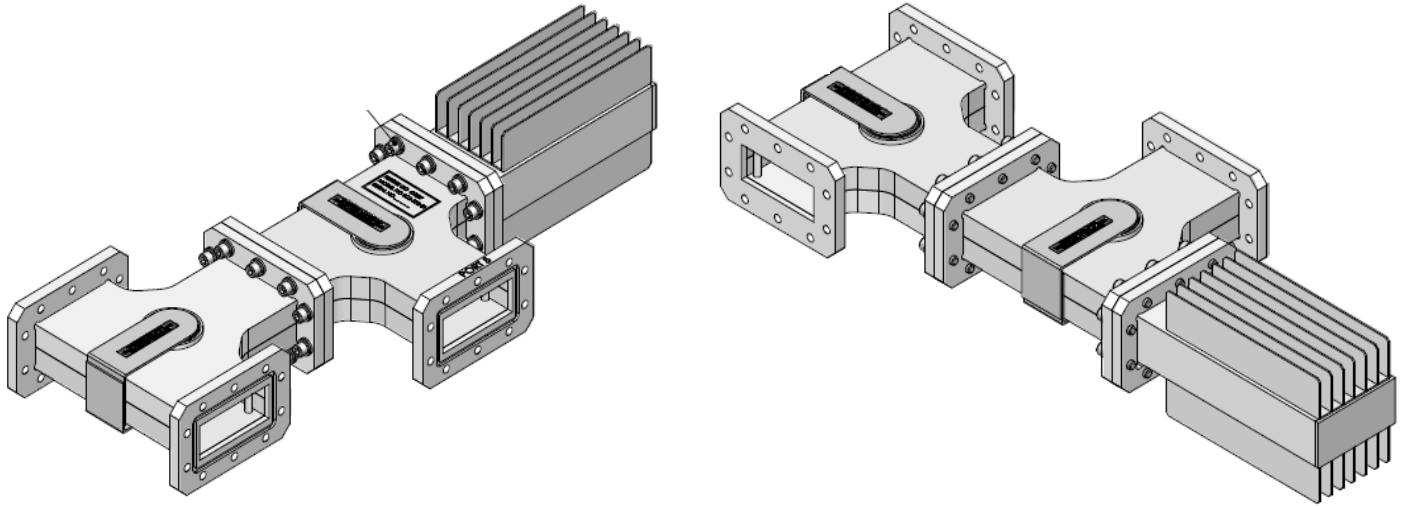


## WR284, S-Band Dual Junction Duplexer

# Microwave

TECHNIQUES LLC



Model: SC3-572

Microwave Techniques WR284 S-Band duplexer solutions places emphasis on the selection and bias point of ferrite material to minimize insertion loss and maximize isolation at the frequency, bandwidth and power level of interest. The design and power handling capability of a circulator is determined by the sum of the forward and reflected power, the latter being a result of any mismatch present at the output of the device. The following specifications apply to a WR284, S-Band duplexer:

Frequency	2700 to 3100 MHz
Peak Power	1 MW
Average Power	1 kW
Flanges	CPR-284 Grooved
Material	Aluminum 6061-T6
Finish	Chromate Golden (MIL-C-5541)

**Designs for:** High Peak Power, High Average Power, Convection Cooled, Liquid Cooled

**Uses for:** Weather Radar Systems

**Environments:** Land, Mobile, Naval and Airborne

**Qualified Units:** AWACS, TPS-78, ASR-9, TRC-170, SMART-L, HAWK

\*Custom paint, finish, material and configuration options available

For more information, contact [sales@microwavetechniques.com](mailto:sales@microwavetechniques.com)