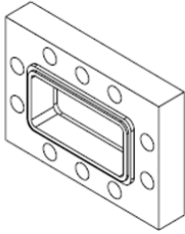
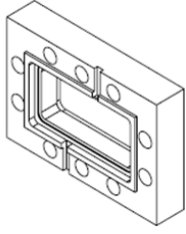
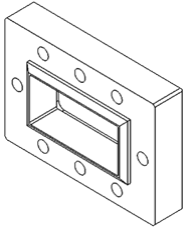
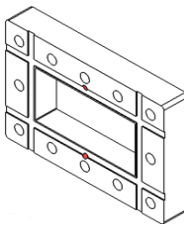
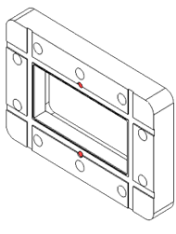
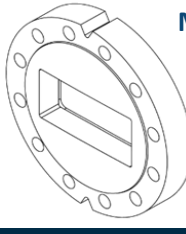
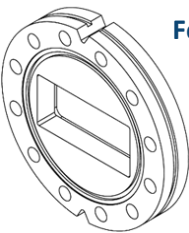
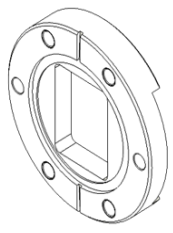
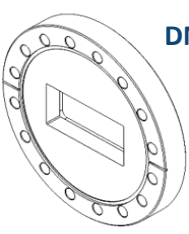
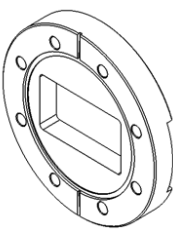
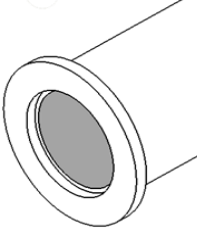


S-Band UHV Waveguide Flanges

Microwave Techniques manufactures a range of S-Band Waveguide UHV flanges & pump out ports. Our various styles of S-Band Flanges can be provided unfinished as 316L or 316LN SS, or with Copper plate.

Please examine our standard line of UHV flanges, developed for high-vacuum applications:

 <p>Male SLAC</p>	 <p>Female SLAC</p>
 <p>LIL Flange</p>	 <p>DESY Flange</p>
 <p>Varian Flange</p>	 <p>Male Skarpaas</p>
 <p>Female Skarpaas</p>	 <p>DN 40 Pumpout Port Flange</p>
 <p>DN 100 Pumpout Port Flange</p>	 <p>DN 63 Pumpout Port Flange</p>
 <p>DN 25 ISO-KF Pumpout Port Flange</p>	