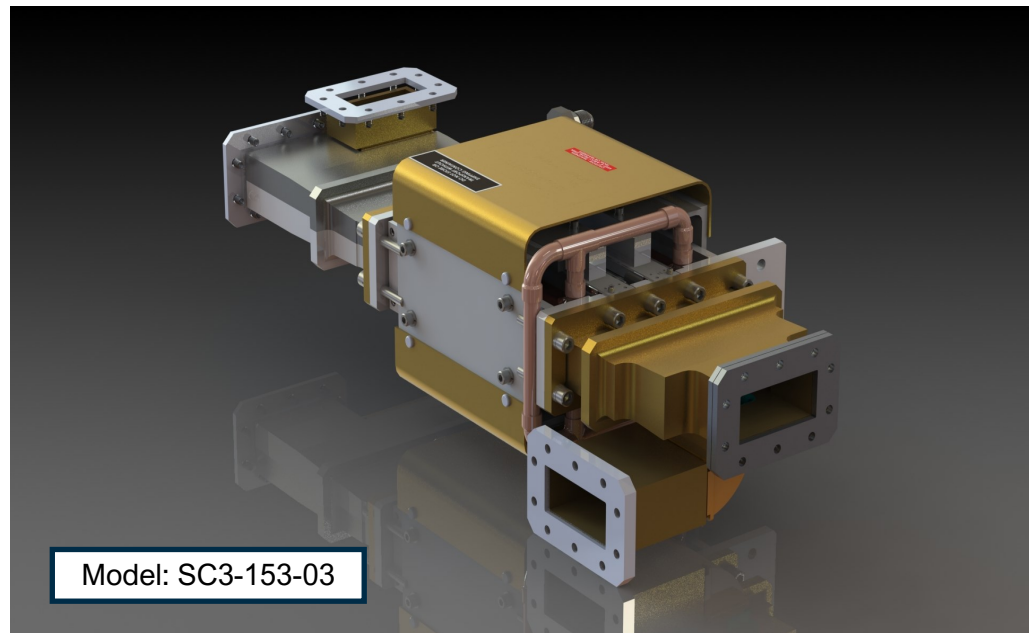
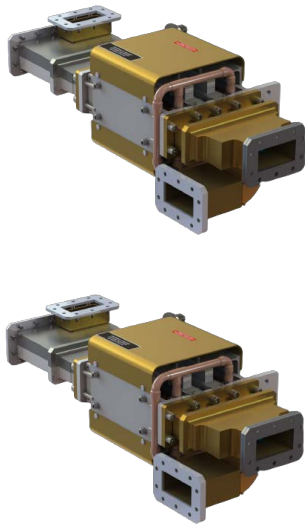


S-Band Medium Power Isolator for 2998 MHz

MEGA RF Solutions
INDUSTRIES
ISO 9001 AS 9100
A MICROWAVE TECHNIQUES COMPANY

Ferrite
Microwave Technologies
A MICROWAVE TECHNIQUES COMPANY

Microwave
TECHNIQUES LLC



The following specifications apply to Microwave Techniques S-Band Medium Power Isolator SC3-153-03:

Frequency	2998 MHz \pm 10 MHz
Peak Power	10 MW
Average Power	10 kW
VSWR	1.1 (max)
Insertion Loss	0.15 dB (max)
Isolation	32 dB (min)
Coupling	51 / 53 dB
Interface	WR284 Waveguide

For more information, contact sales@microwavetechniques.com