

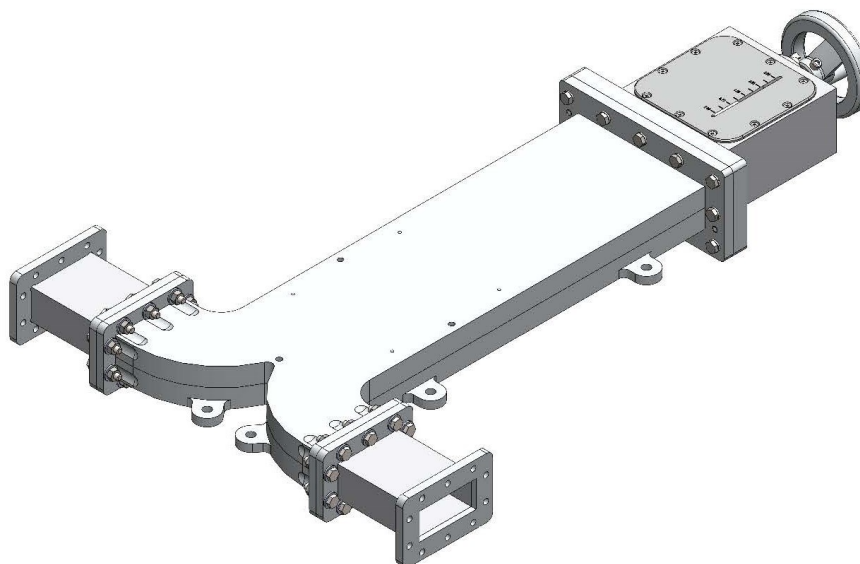
S-Band Waveguide Phase Shifter (Manual)

MEGA RF Solutions
INDUSTRIES
ISO 9001 AS 9100
A MICROWAVE TECHNIQUES COMPANY

Ferrite
Microwave Technologies
A MICROWAVE TECHNIQUES COMPANY

Microwave
TECHNIQUES LLC

Model: 82707-701



See next page for final photos

The following specifications apply to our S-Band Waveguide Phase Shifter, (Manual) model 82707-701:

Frequency	2998 +/- 5 MHz
VSWR	1.20 : 1 (or better)
Peak Power	5 MW
Average Power	5 kW
Phase Change	360° min
Insertion Loss	0.15 dB Max
Material	Aluminum
Interface	CPR284F
He Leak Rate	1.3 ⁻³ Torr l/s @ 1 psig
Pressure	2 bar (29 psig)
Wall Thickness	0.25 in (6.35 mm)
Approximate Weight	20 lbs (9.07 kg)

For more information, contact sales@microwavetechniques.com

